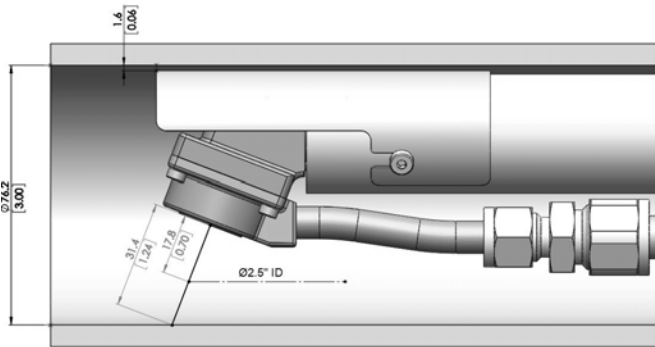
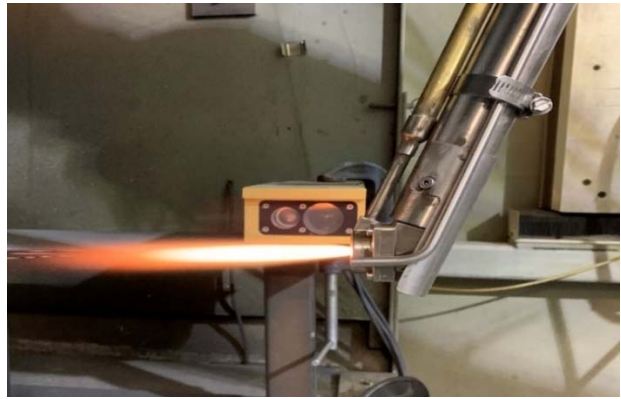
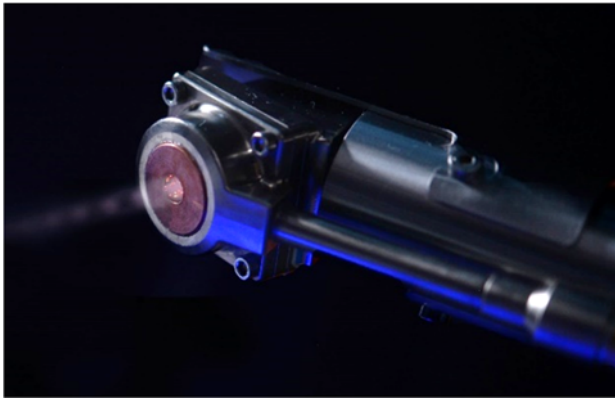
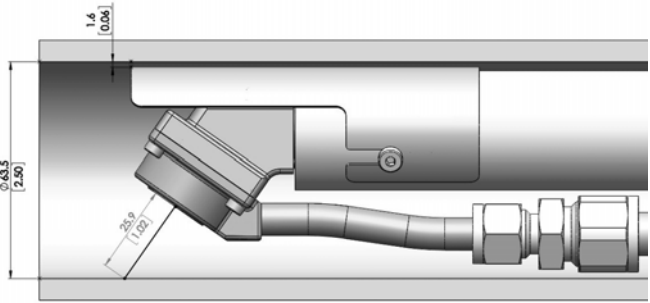


# Mini-Nova HVOF

## Internal Diameter HVOF Coatings to 2.5" (63.5mm)



Standard elbow in 3.0 inch (76.2 mm) ID



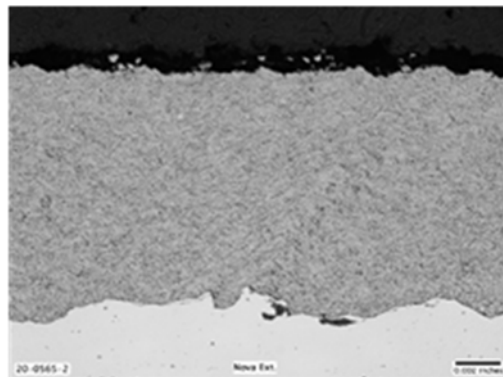
High angle elbow in 2.5 inch (63.5 mm) ID

The Mini-Nova HVOF represents the latest breakthrough for internal diameter coating devices allowing coatings to be applied to internal diameters. Using high angle elbow, greater spraying distance (SD) can be achieved.

The Mini-Nova is based on the ID-Nova design with modified components to allow for smaller ID coatings. The Mini-Nova is more thermally efficient allowing for high power at lower gas flow rates.

The Mini-Nova HVOF has axial feed of powder and which facilitates with high quality coatings at high deposition efficiencies (DE). Hardness exceeding 1000 HV300 and porosities below 1% are routine for WC-CoCr coatings.

The Mini-Nova is also adaptable for warm spray (WS) applications to further optimize parameters with inert gas or nitrogen additions.



Compressive stresses  
Coating hardness: >1000 HV300  
WC-CoCr coating porosity: <1%

### Mini-Nova & Coating Specifications:

- Rated power: 72 kW
- Process gases: hydrogen, propylene
- Axial injection of powder
- Operates in diameters: 2.5 in / 63.5 mm

[www.spraywerx.com](http://www.spraywerx.com) • [info@spraywerx.com](mailto:info@spraywerx.com) • +1-604-306-2061